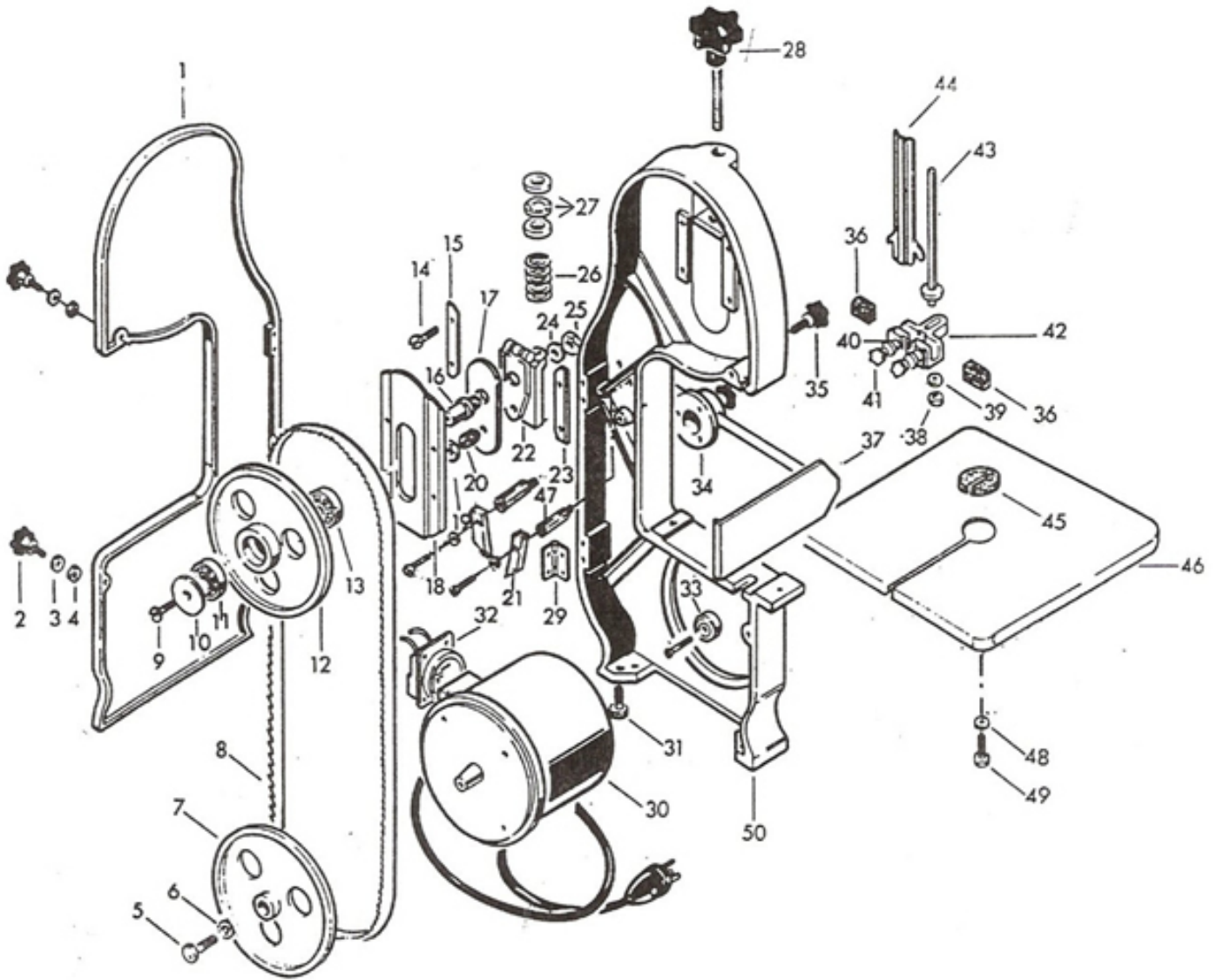


Parts Breakdown

Model BS-IT-1829-M 45506



Parts Breakdown

Model BS-IT-1829-M 45506

Item No.	Description	Position	Item No.	Description	Position	Item No.	Description	Position
AN145	Door for 45506	1	34894	Tension Grip Spring for 45506	26	17774	Blade Guide for 45506	42
16445	Knob to Close the Opening Complete for 45506	2 - 4	34895	Tension Grip Bearing for 45506	27	34904	Blade Guide Pole for 45506	43
34882	Lower Fly-Wheel Screw and Washer for 45506	5 - 6	34896	Tension Grip Knob for 45506	28	34905	Blade Protection for 45506	44
17776	Lower Fly-Wheel for 45506	7	34897	Hinge for 45506	29	17853	Bakelite Plate for 45506	45
10328	Band Saw Blade for 45506	8	60335	Motor Single Phase (120V) for 45506	30	34907	Working Table 39cmx37cm for 45506	46, 48
34885	Fly-Wheel and Screw to Protect from Dust for 45506	9 - 10	20206	Rubber Foot for 45506	31	34908	Shavehook Pivot for 45506	47
34886	Bearing 6203 2RS for 45506	11, 13	44776	New Style Rotary Switch and Safety Relay and Box for 45506	32	68806	Screw 8x20mm + Washer 8mm for 45506	48 - 49
17767	Upper Fly-Wheel (9") for 45506	12	17770	Pivot and Bearing for 45506	33	34910	Housing for 45506	50
34888	Washer Support and Screw for 45506	14 - 15	17771	Cutting Guide Support and Knob for 45506	34	34911	Plug for 45506	
34889	Pivot Upper Fly-Wheel for 45506	16, 24	17772	Knob of the Transporter Guide Pole for 45506	35	45619	Meat Pusher Complete for 45506	
34890	Lamination for 45506	17	16447	Blade Guide Insert for 45506	36	63466	PG11 Cable Press Device for 45506	
AN146	Tension Slide for 45506	18	46386	Cutting Guide (Height 105mm) and Pole for 45506	37	AL389	Capacitor 120V / 60Hz / 1 for 45506	
34892	Adjustment Fly-Wheel Screw and Nut for 45506	19 - 20	34900	Nut and Washer for 45506	38 - 39	34912	Microswitch for 45506	
22052	Shavehook for 45506	21	34901	Blade Guide Ring Nut in Aluminum for 45506	40	34913	Motor Cover for 45506	
34893	Slide for 45506	22	34902	Blade Guide Knob for 45506	41			